

M215S 21.5" Multi-view Director Monitor

Full Horizontal & Vertical Monitoring to the Next Level



FHD
21.5"

1000nit

2 *SDI
IN & OUT

4*HDMI
IN & OUT

GPI & UMD

Remote Control

Multi-view

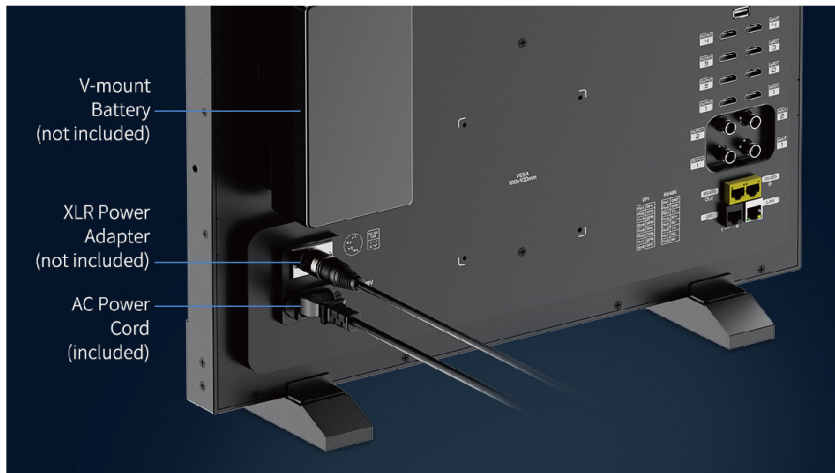
Versatile
Power Options

HDR

3D-LUT

>> Triple Power Supply Options

You can use the accompanied power cord to connect AC power input or use DC 12V/5A power adapter to connect XLR power input to get continuous power, you can also install V-mount battery on the V-mount battery plate for mobile application.



>> KEY FEATURES

- FHD Resolution 1920x1080 IPS, view details with confidence
- 1000nit high brightness, ideal for outdoor shooting
- Intuitive and flexible buttons operation
- Professional Calman software calibration, ensure color accuracy and good reproduction
- Multiple screen modes (Single, PBP, PIP, Crop, Triple, Quad)
- Custom 3D LUT, preview film look
- Dynamic HDR monitoring, what you see is what you get
- Equipped with 4xHDMI, 2xSDI inputs, which compatible with various DSLR cameras and camcorders. 4xHDMI, 2xSDI outputs easy to connect with external monitor.
- Supports GPI control, dynamic UMD (RS485 in & out)

>> Full Range of Auxiliary Functions

3D LUT	Waveform	Vector Scope	Histogram	Peaking Filter
Exposure	Check Field	False Colors	Nine Grid	Screen Marker
Image Flip	Ratio Marker	Overscan	Zoom-in	Pixel-to-Pixel
Embedded Audio	Image Freeze	Anamorphic Mode		

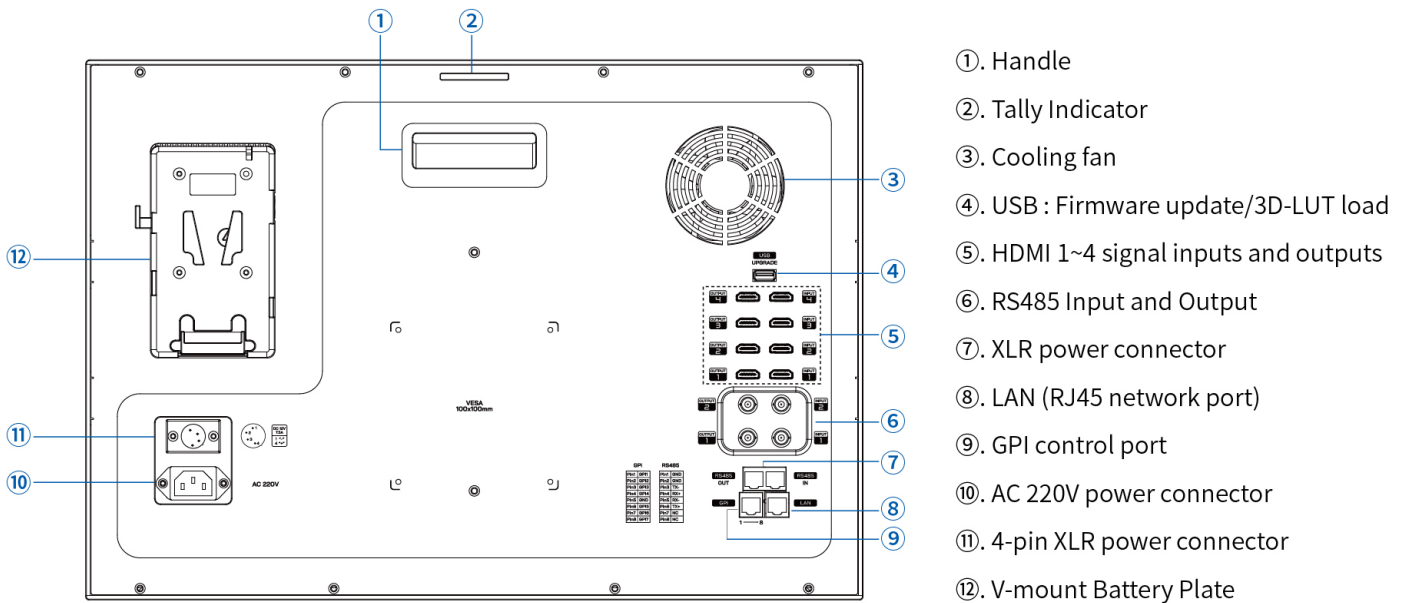
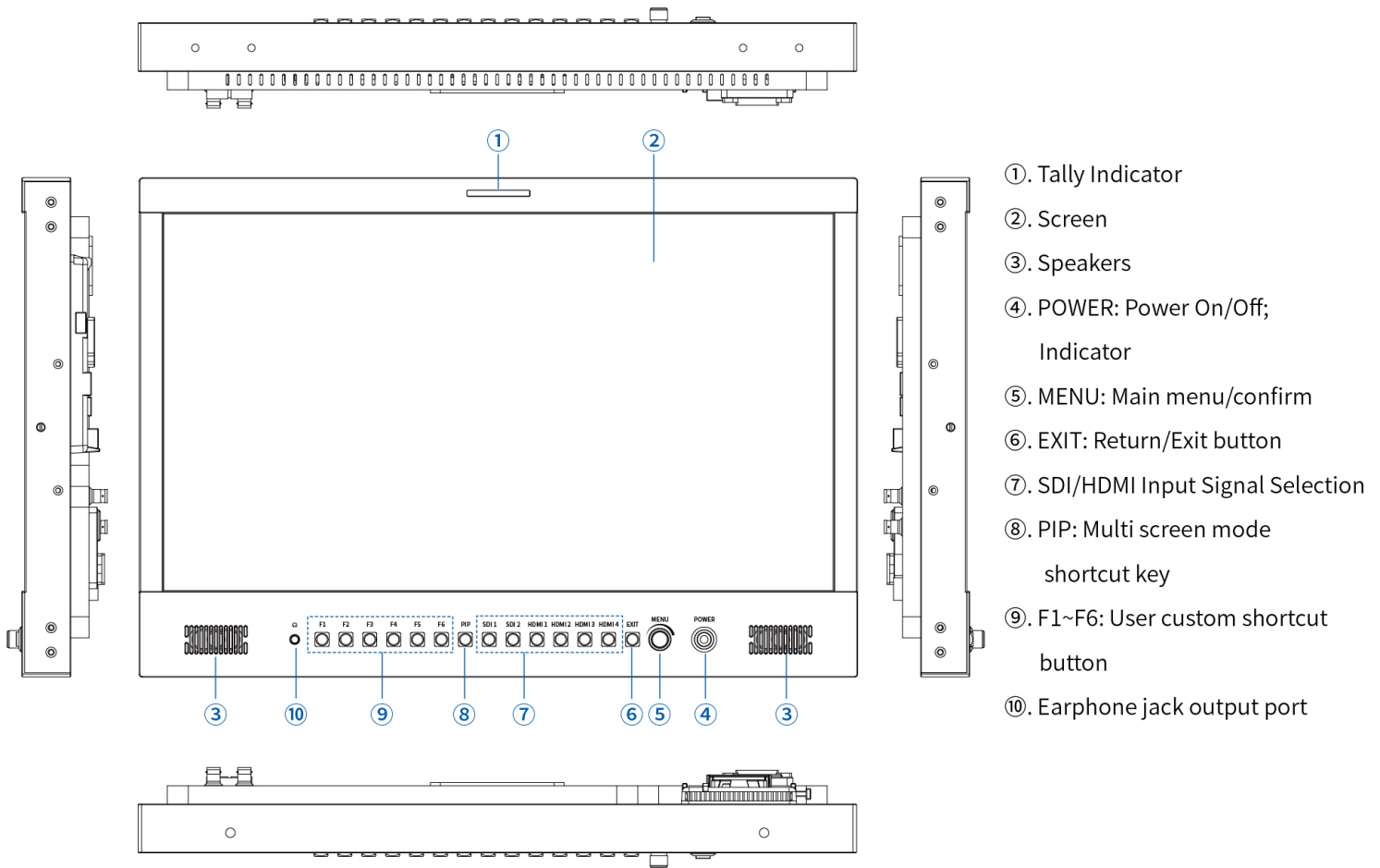
>> PARAMETERS

Description	21.5" 1000nit Multi-view Director Monitor
Model	M215S
Screen size	21.5" IPS
Resolution	1920×1080 pixels
Display Colors	16.7M (8bit)
Gamut	REC709 97.5%
Pixel pitch	0.24795(H) X 0.24795(V) mm
Aspect Ratio	16:9
Brightness	1000 cd/m ²
Contrast	3000:1
Backlight	LED
Response Time	Tr + Tf=35ms
Viewing Angle	89°/89°(L/R) 89°/89°(U/D)
Signal Inputs	2*3G-SDI, 4*HDMI, RS485
Signal Outputs	2*3G-SDI, 4*HDMI, RS485
Control Interface	GPI
Network Interface	LAN (1x RJ45)
Other Interface	USB (firmware update, LUT import)
Audio	3.5mm Stereo Headphone, Speaker
VESA Mount Size	100x100mm
SDI Support Format	720p (60/59.94/50/30/29/25/24/23.98)
	1080i (60/59.94/50)
	1080p (60/59.94/50/30/29.97/25/24/24sF/23.98/23.98sF)
	720p (60/59.94/50/30/29/25/24/23.98)
HDMI 2.0 Support Format	1080i (60/59.94/50)
	1080p (60/59.94/50/30/29.97/25/24/24sF/23.98/23.98sF)
	4K 3840×2160p (60/50/30/29.97/25/24/23.98Hz)
	4096×2160p (60/50/30/29.97/25/24/23.98Hz)
Input Voltage/Current	DC 12V/7.5A, AC220V
Power Supply Way	4 pin XLR , AC 220V Power Connector, V-mount battery plate
Power Consumption	≤57W
Working Temperature	0°C~50°C
Storage Temperature	-20°C~60°C
Unit Size	511.5x355.5x34.8mm
Unit Weight	5.7KG (W/O stand feet)

>> PACKAGING LIST

			
Monitor	AC220V/3A Power Cord	HDMI Cable	SDI Cable
			
V-mount Battery Plate (default to mount on device)	Desktop Stand	Sunshade	User Manual

>> STRUCTURE



HDMI® CE FC RoHS

Zhangzhou Seetec Optoelectronics Technology Co., Ltd

E-mail: sales@feelworld.cn

Tel: +86-596-2182566

Website: www.feelworld.com.cn

Fax: +86-596-2672617

www.seetec.com.cn